

## HTL Telecopic Slide-out type

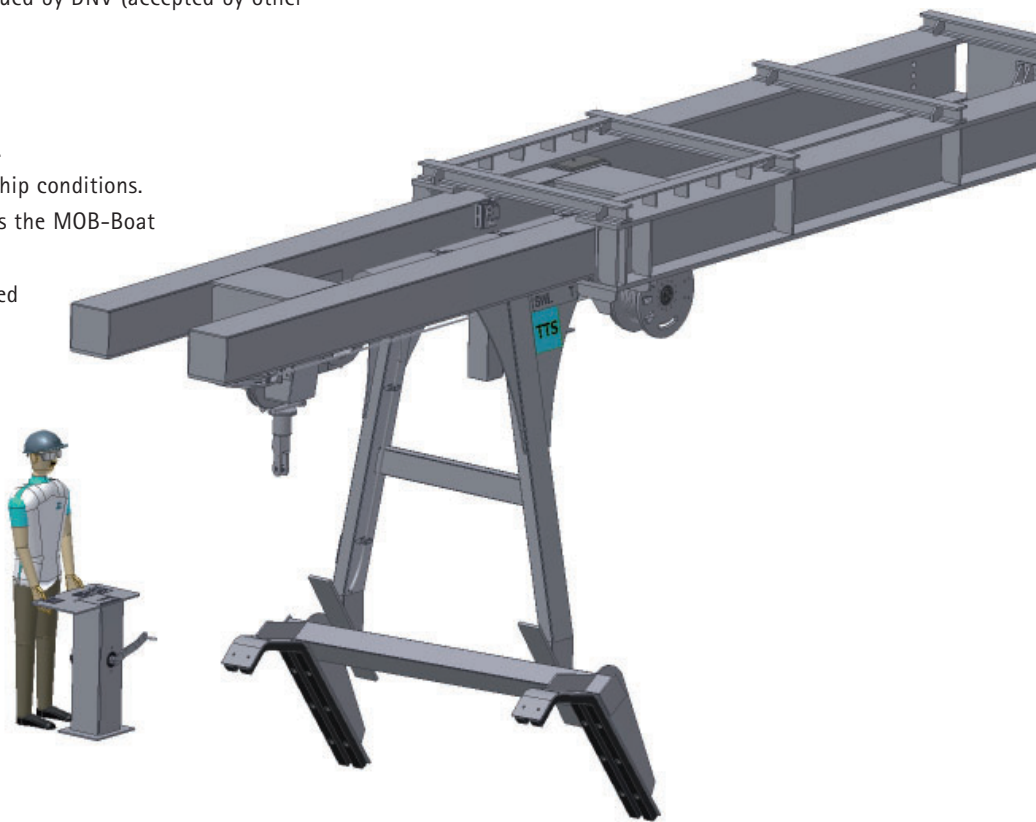
A telescopic slide out davit, where the boat's parking device virtually follows/supports the rescue boat during the slide-out sequence, until the boat is off the ship's side, ready for lowering. A safe and very coming TTS Marine model. The davit is in full compliance with current and applicable rules for Life Saving Equipment. The Davit is supplied with EC TYPE-EXAMINATION CERTIFICATE, issued by DNV (accepted by other Class Societies).

### Main features

- External electro-hydraulic power pack.
- Stored energy, launching under dead ship conditions.
- Stabilizing support frame which guides the MOB-Boat during launching and recovery.
- MOB-Boat and davit are securely lashed together in parked position.
- Excellent for intergrated mounting in shipside.

### Options

- Constant Tension system as wave compensator, speed max 120 m/min.
- Shock absorbing cylinder for smooth handling of the boat.
- Offload quick release hook is mounted on wire end.
- Lifting ring with handles.



	UNIT	HLT MOB1500	HLT MOB3500
DAVIT LOAD SWL	kg	1500	3500
Hoisting speed	m/min	50	50
Lowering speed (dead ship condition)	m/min	50	50
Lifting height	m	20	20
Telescope sliding time, approx	sec	20	20
List +Trim	degr	20+10	20+10
Power consumption	kW	20	40