

## PRODUCT SPECIFICATION

# TTS Resque Boat Davits

### HL6D Swing-out type

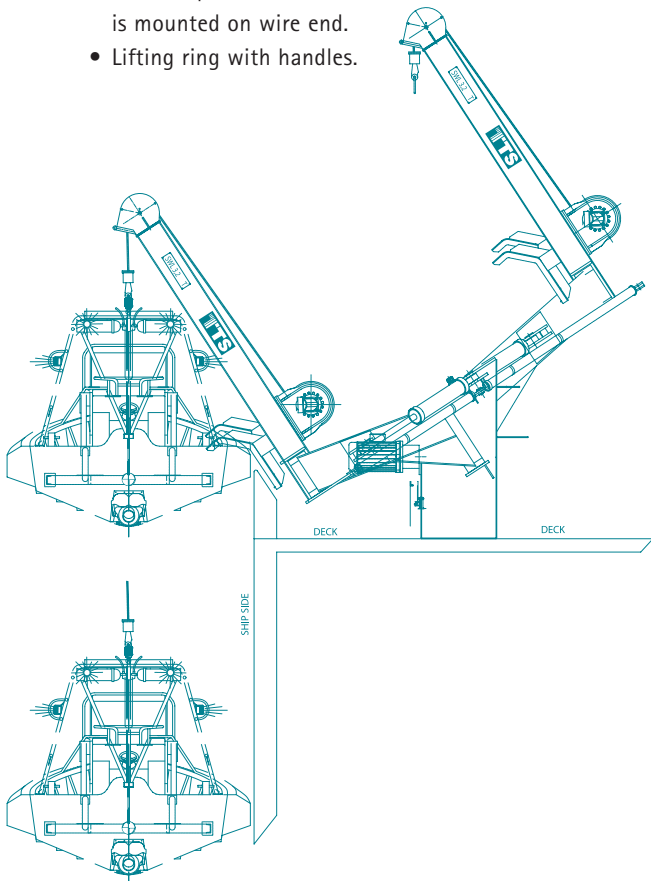
A sideway swing davit, where the boat's parking device virtually follows/supports the rescue boat during the swing-out sequence, until the boat is off the ship's side, ready for lowering. A safe and very popular TTS Marine model. The davit is in full compliance with current and applicable rules for Life Saving Equipment. The Davit is supplied with EC TYPE-EXAMINATION CERTIFICATE, issued by DNV (accepted by other Class Societies).

#### Main features

- Integrated electro-hydraulic power pack.
- Not required stored energy, launching under dead ship conditions is made by use of the gravity forces.
- Stabilizing support frame which guides the MOB-Boat during launching and recovery.
- MOB-Boat and davit are securely lashed together in parked position.
- Available in right or left hand version to suit the deck arrangement.

#### Options

- Constant Tension system as wave compensator, speed max 120 m/min.
- Shock absorbing cylinder for smooth handling of the boat.
- Offload quick release hook is mounted on wire end.
- Lifting ring with handles.



	UNIT	HL6D MOB1500	HL6D MOB3200
DAVIT LOAD SWL	kg	1500	3200
Hoisting speed	m/min	50	50
Lowering speed (dead ship condition)	m/min	50	50
Lifting height	m	20	20
Swing-out time, approx.	sec	10	10
List +Trim	degr	20+10	20+10
Power consumption	kW	20	40